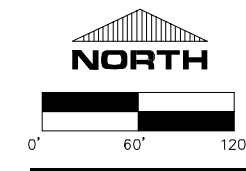


Chelsea Solar Project

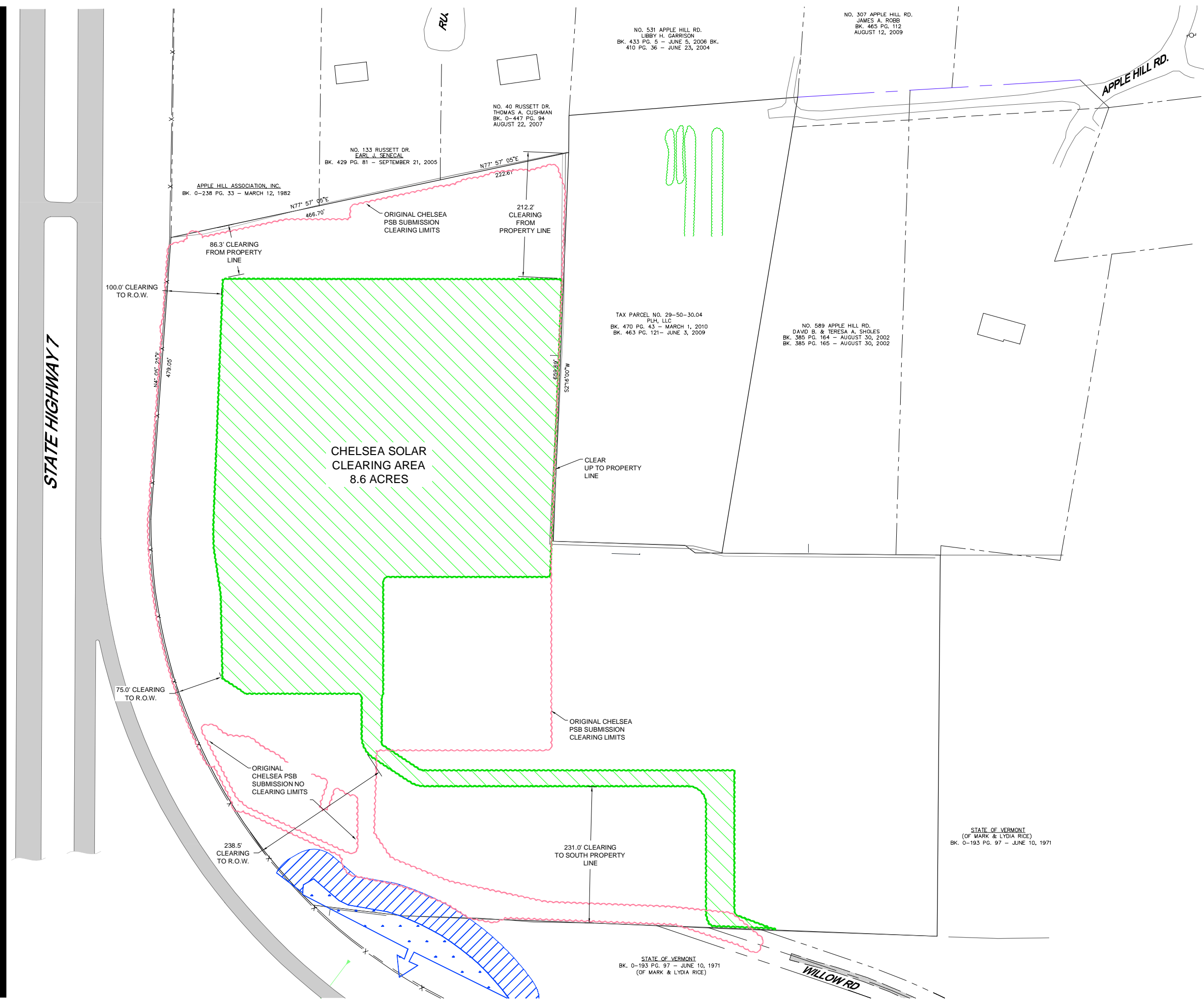
Revised Clearing Boundaries & Site Plan

REVISION LOG:

5/17/2017 - REVISED PSB SITE PLAN



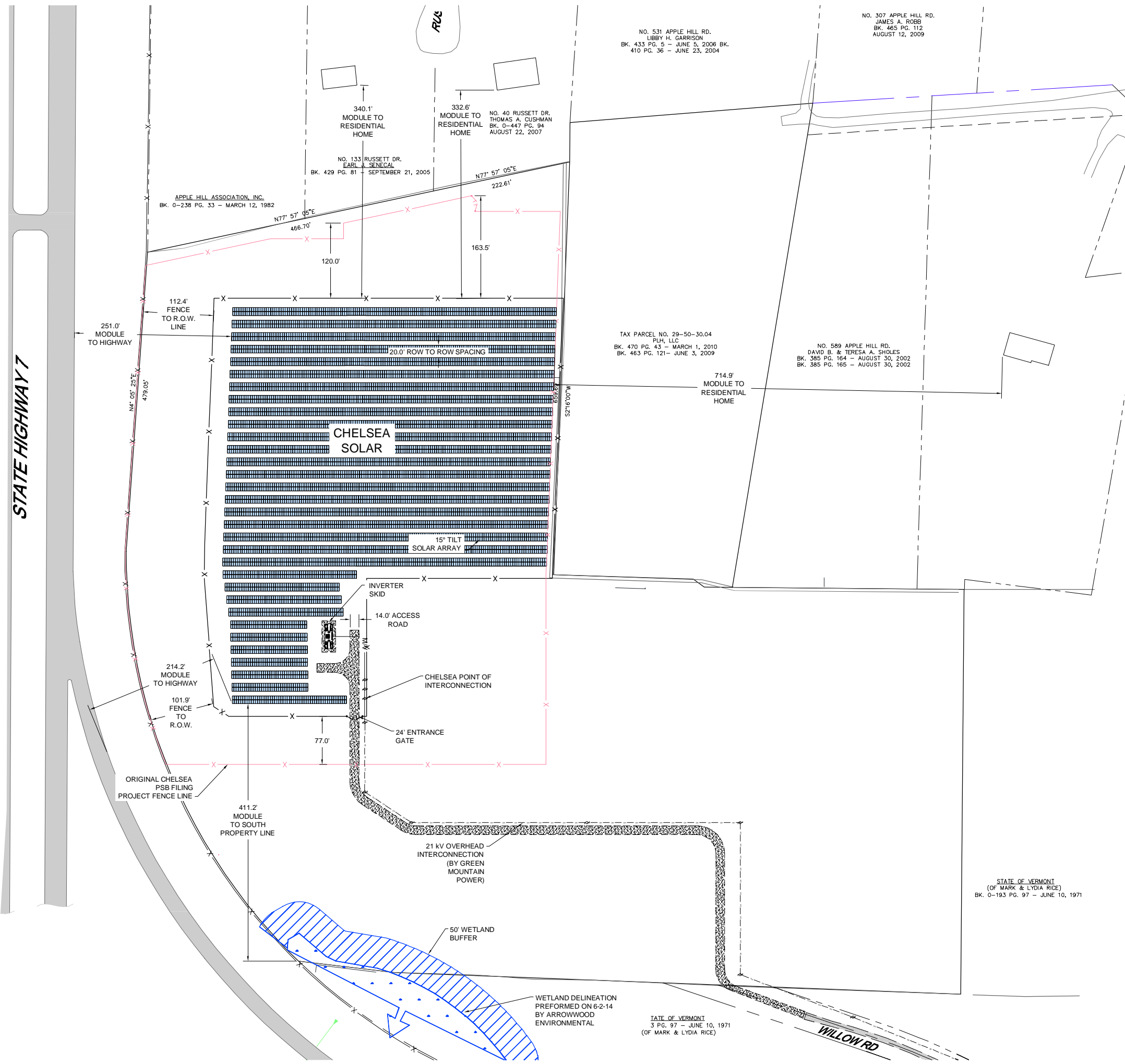
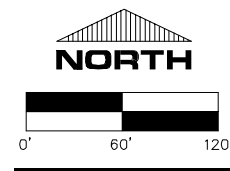
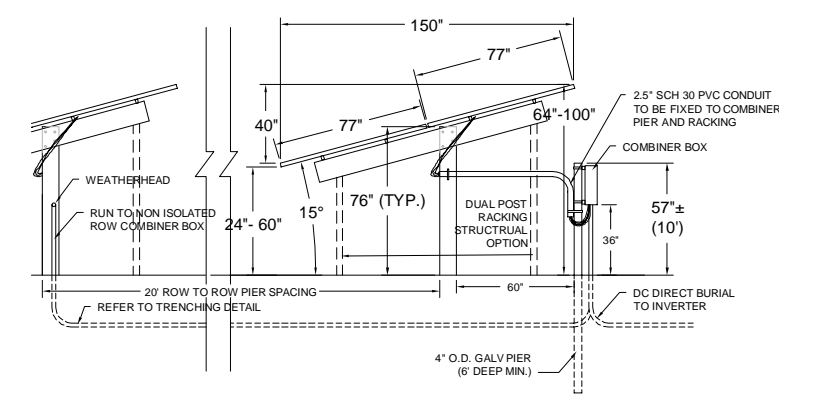
CHELSEA SOLAR
1033 Willow Road
BENNINGTON, VT 05201
LAT: 42.9093 / LON: -73.2066
BENNINGTON COUNTY
CLEARING PLAN



REVISION LOG:

5/17/2017 - REVISED PSB SITE PLAN

SOLAR ARRAY PROFILE



CHELSEA SOLAR
1033 Willow Road
BENNINGTON, VT 05201
LAT: 42.9093 / LON: -73.2066
BENNINGTON COUNTY
SITE PLAN